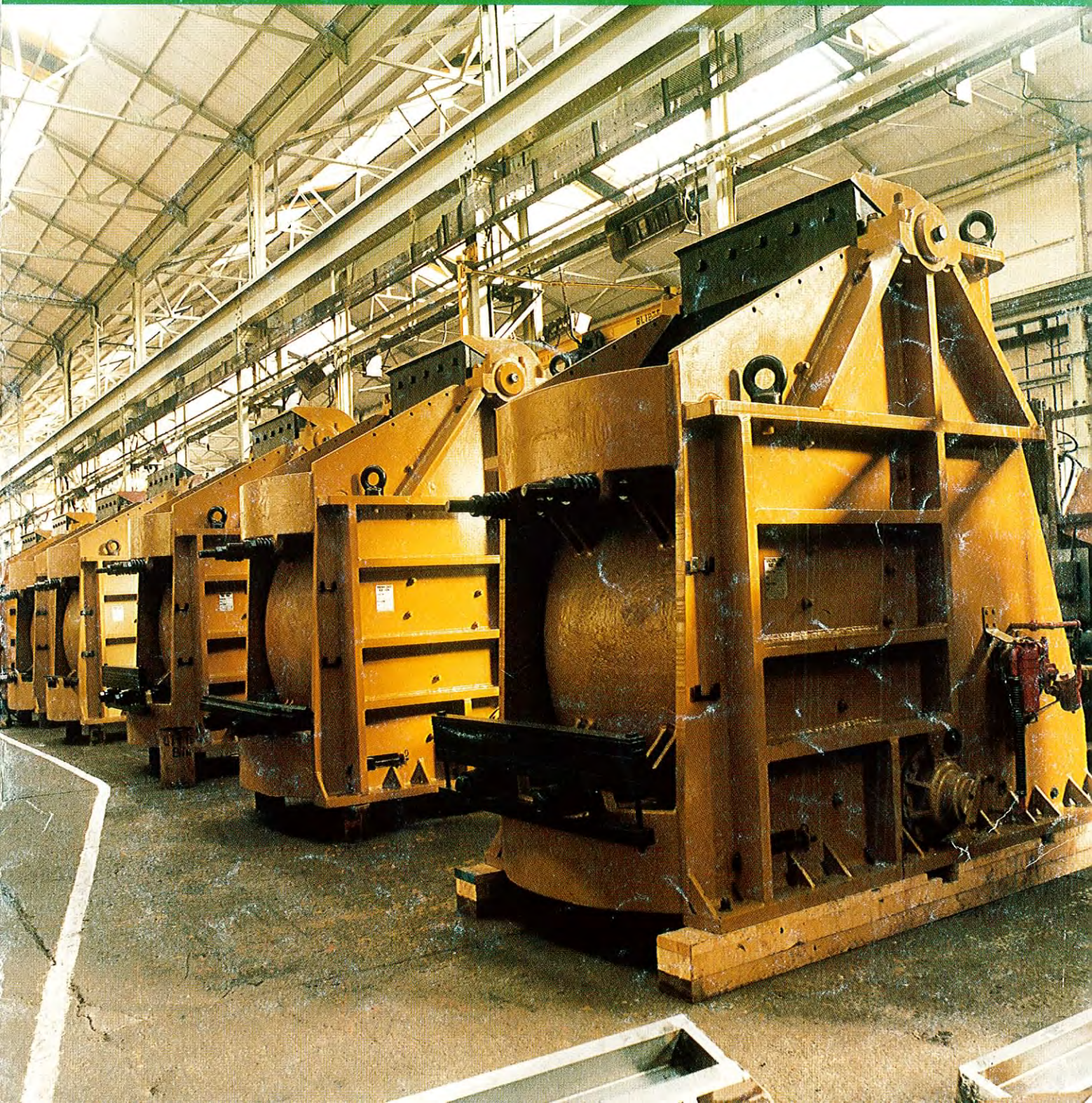
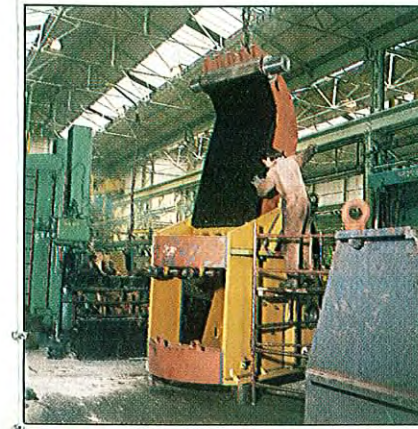
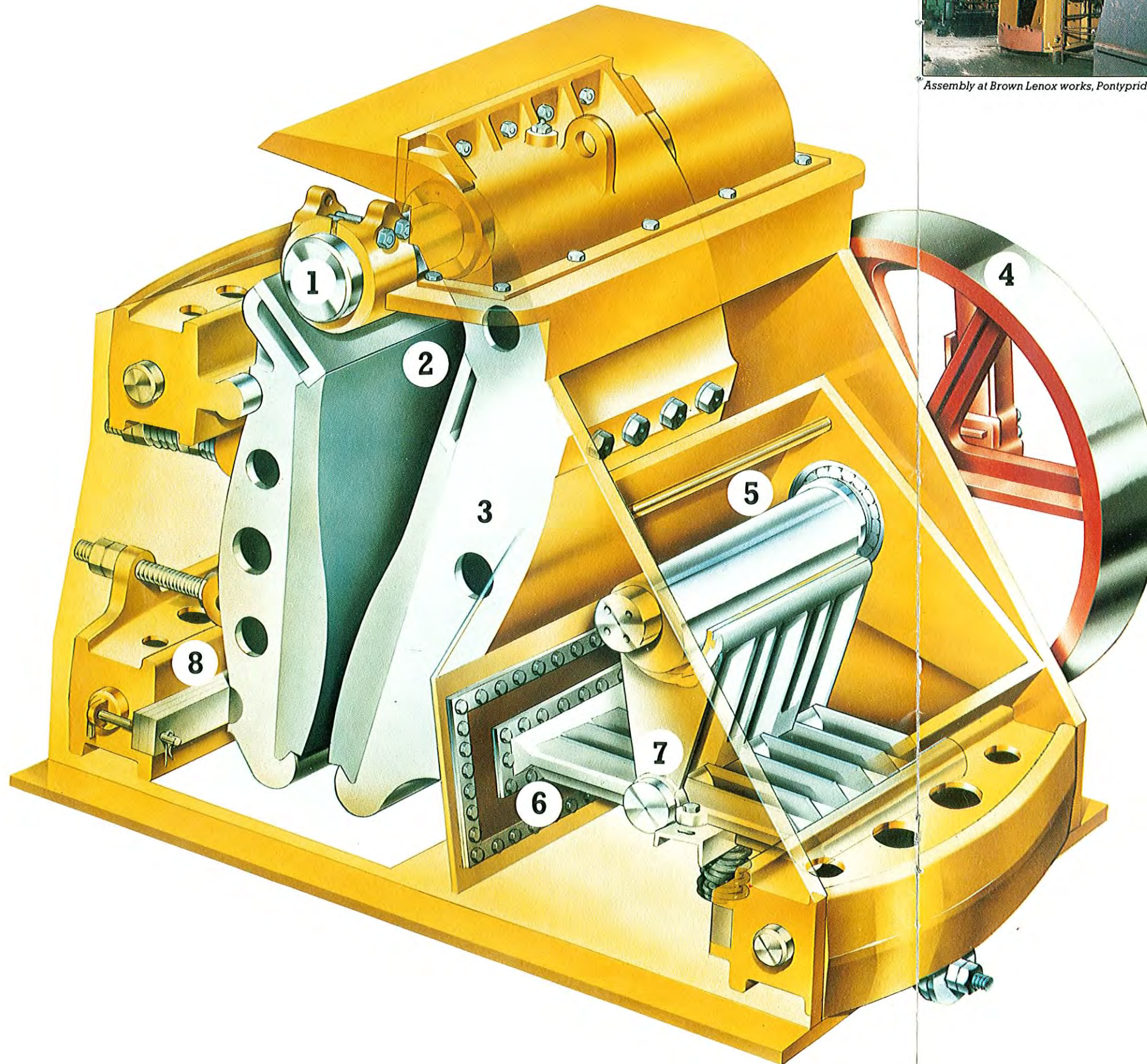


# **BROWN LENOX**

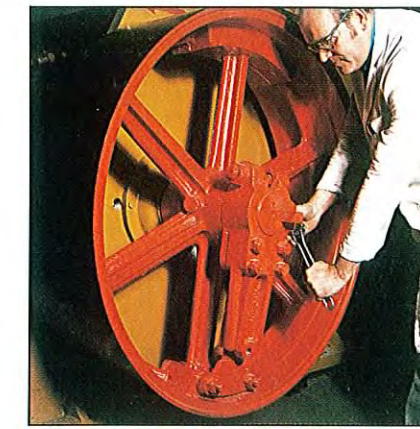
## **KUE-KEN JAW CRUSHERS**



# The inside story . . .



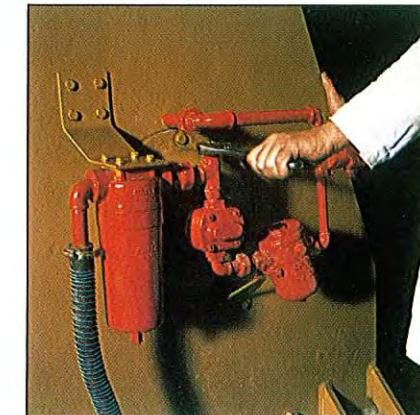
Assembly at Brown Lenox works, Pontypridd.



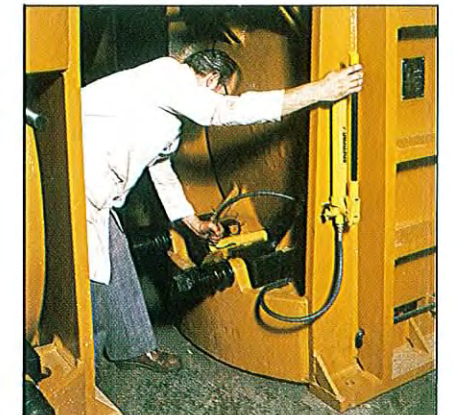
Tramp iron protection is provided by a spring loaded safety device.



Toggles, pitman and eccentric operate in a sealed chamber . . .

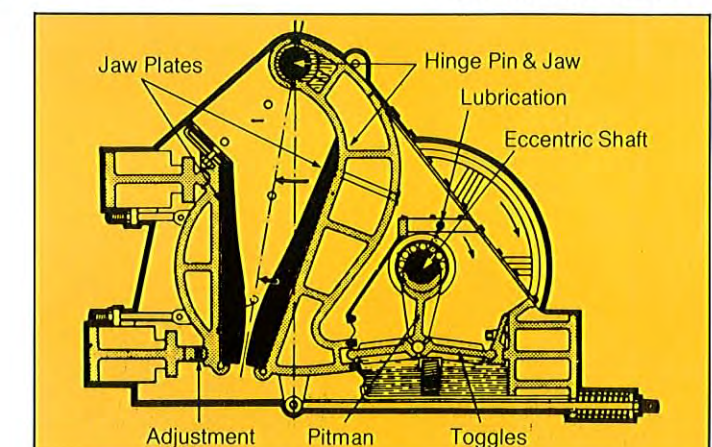


Flow meter protects mechanism against oil pump failure.



Hydraulic adjustment available with models 75S and above.

- ① Hinge pin on crushing chamber centre-line for crushing without rubbing. Large bearings and integral lubrication.
- ② Wide entry throat ensures easy feeding to crushing chamber.
- ③ Cast steel swing jaw is balanced to avoid power losses through lifting on crushing stroke.
- ④ A light small diameter flywheel is all that is necessary with the low inertia of the mechanism.
- ⑤ Operating mechanism is totally enclosed for maximum life and minimum maintenance.
- ⑥ Double toggles provide maximum leverage to long-stroke eccentric. Pull-back and lifter springs automatically compensate for wear.
- ⑦ Light-weight pitman is always in compression and bears directly on the underside of the eccentric.
- ⑧ All adjustments are carried out on the fixed jaw to avoid disturbing the crushing geometry.



Our Crushers have a double toggle action to give the maximum mechanical advantage to the eccentric. Crushing on the downward stroke enables a much lighter pitman and toggles to be employed, so reducing inertia and enabling higher operating speeds and greater throughput to be achieved.

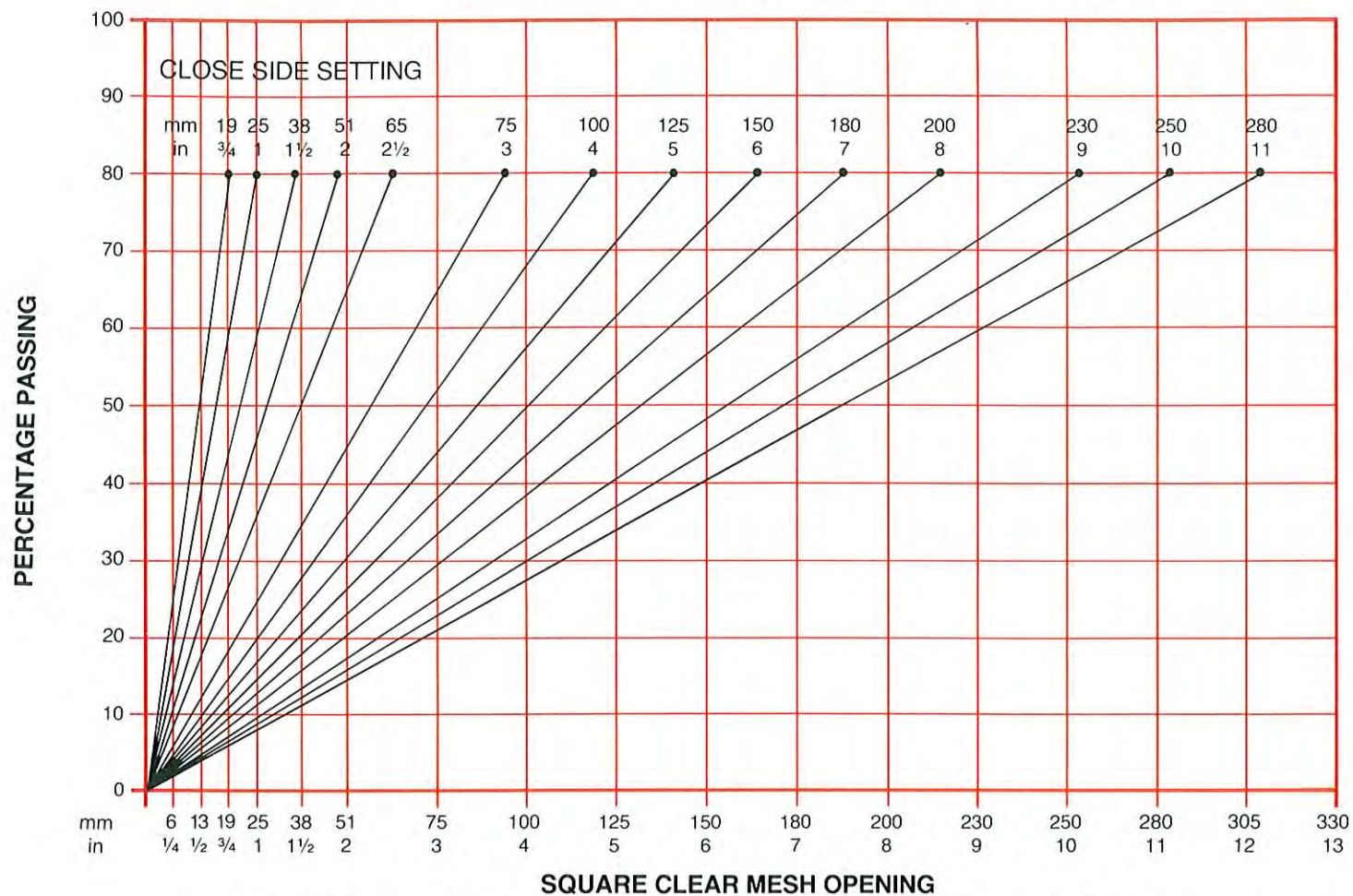
# Capacity - Power - Speed

| CRUSHER FEED OPENING       |             |              |            |             | CAPACITIES - TONNES PER HOUR |    |    |    |    |     |              |     |     |     |     |     | POWER - SPEED |                       |                         |     |     |    |       |  |  |         |         |     |         |         |         |         |
|----------------------------|-------------|--------------|------------|-------------|------------------------------|----|----|----|----|-----|--------------|-----|-----|-----|-----|-----|---------------|-----------------------|-------------------------|-----|-----|----|-------|--|--|---------|---------|-----|---------|---------|---------|---------|
| KUE-KEN<br>CRUSHER<br>SIZE | GAPE<br>INS | WIDTH<br>INS | GAPE<br>MM | WIDTH<br>MM | CRUSHER SETTING (CLOSE SIDE) |    |    |    |    |     |              |     |     |     |     |     | MOTOR<br>HP   | MOTOR<br>SPEED<br>RPM | CRUSHER<br>SPEED<br>RPM |     |     |    |       |  |  |         |         |     |         |         |         |         |
|                            |             |              |            |             | ins<br>¾<br>mm<br>28         | 1  | 1¼ | 1½ | 2  | 2½  | 3<br>↓<br>75 | 3½  | 4   | 5   | 6   | 7   |               |                       |                         | 8   | 9   | 10 | 11    |  |  |         |         |     |         |         |         |         |
| 34                         | 6           | 16           | 150        | 405         | 13                           | 17 | 20 | 25 | 30 | 40  |              |     |     |     |     |     |               |                       |                         |     |     |    | 15-20 |  |  |         |         |     |         |         |         |         |
| 35                         | 9           |              | 230        |             |                              | 13 | 17 | 20 | 25 | 30  |              |     |     |     |     |     |               |                       |                         |     |     |    |       |  |  |         |         |     |         |         |         |         |
| 54                         | 8           | 24           | 200        | 610         |                              | 25 | 30 | 35 | 45 | 50  |              |     |     |     |     |     |               |                       |                         |     |     |    |       |  |  |         |         |     |         |         |         |         |
| 55                         | 10          |              |            |             | 255                          |    |    | 30 | 35 | 40  | 45           | 55  |     |     |     |     |               |                       |                         |     |     |    |       |  |  |         |         |     |         |         |         |         |
| 56                         | 12          |              |            |             | 305                          |    |    |    | 30 | 40  | 45           | 50  |     |     |     |     |               |                       |                         |     |     |    |       |  |  |         |         |     |         |         |         |         |
| 57                         | 15          |              |            |             | 380                          |    |    |    |    | 40  | 50           | 60  | 70  |     |     |     |               |                       |                         |     |     |    |       |  |  |         | 350-385 |     |         |         |         |         |
| 75S                        | 20          | 30           | 510        | 700         |                              |    |    |    |    | 55  | 65           | 80  | 90  | 115 |     |     |               |                       |                         |     |     |    |       |  |  | 350-375 |         |     |         |         |         |         |
| 79                         | 8           | 36           | 200        | 915         |                              |    | 50 | 55 | 70 | 80  | 95           |     |     |     |     |     |               |                       |                         |     |     |    |       |  |  |         |         |     |         |         |         |         |
| 80                         | 10          |              |            |             | 255                          |    |    |    | 55 | 70  | 80           | 95  |     |     |     |     |               |                       |                         |     |     |    |       |  |  |         | 40-50   | 970 | 350-385 |         |         |         |
| 81                         | 12          |              |            |             | 305                          |    |    |    | 50 | 60  | 70           | 80  |     |     |     |     |               |                       |                         |     |     |    |       |  |  |         |         |     |         |         |         |         |
| 95                         | 24          |              | 610        |             |                              |    |    |    |    |     | 100          | 115 | 130 | 155 |     |     |               |                       |                         |     |     |    |       |  |  |         | 50-60   |     | 325-360 |         |         |         |
| 104                        | 8           | 42           | 200        | 1065        |                              | 50 | 60 | 70 | 85 | 105 | 120          |     |     |     |     |     |               |                       |                         |     |     |    |       |  |  |         |         |     |         |         |         |         |
| 105                        | 10          |              |            |             | 255                          |    |    | 60 | 70 | 85  | 105          | 120 |     |     |     |     |               |                       |                         |     |     |    |       |  |  |         |         |     |         |         |         |         |
| 106                        | 12          |              |            |             | 305                          |    |    |    | 65 | 80  | 95           | 110 |     |     |     |     |               |                       |                         |     |     |    |       |  |  |         |         |     |         |         |         |         |
| 107                        | 14          |              |            |             | 355                          |    |    |    |    | 60  | 90           | 100 | 115 | 125 | 150 | 180 |               |                       |                         |     |     |    |       |  |  |         |         |     |         |         |         |         |
| 108                        | 16          |              |            |             | 405                          |    |    |    |    |     | 90           | 100 | 115 | 125 | 150 | 180 | 200           |                       |                         |     |     |    |       |  |  |         |         |     |         |         |         |         |
| 114                        | 27          |              |            |             | 685                          |    |    |    |    |     |              |     | 115 | 130 | 145 | 180 | 210           | 250                   | 280                     |     |     |    |       |  |  |         |         |     |         |         |         |         |
| 120                        | 32          |              |            |             | 815                          |    |    |    |    |     |              |     |     | 140 | 170 | 200 | 220           | 250                   | 270                     |     |     |    |       |  |  |         |         |     |         | 75-100  |         | 300-325 |
| 120S                       | 36          |              |            |             | 915                          |    |    |    |    |     |              |     |     |     |     | 190 | 210           | 240                   | 260                     | 285 | 300 |    |       |  |  |         |         |     |         |         |         |         |
| 150                        | 36          | 48           | 915        | 1220        |                              |    |    |    |    |     |              |     |     | 275 | 320 | 365 | 405           | 460                   | 510                     |     |     |    |       |  |  |         |         |     | 100-150 |         | 275-300 |         |
| 160                        | 42          |              | 1065       |             |                              |    |    |    |    |     |              |     |     | 275 | 320 | 365 | 405           | 460                   | 510                     |     |     |    |       |  |  |         |         |     |         | 150-200 |         |         |
| 200                        | 48          | 60           | 1220       | 1525        |                              |    |    |    |    |     |              |     |     |     |     | 350 | 405           | 460                   | 510                     | 560 | 610 |    |       |  |  |         |         |     |         | 200-250 |         | 225-275 |

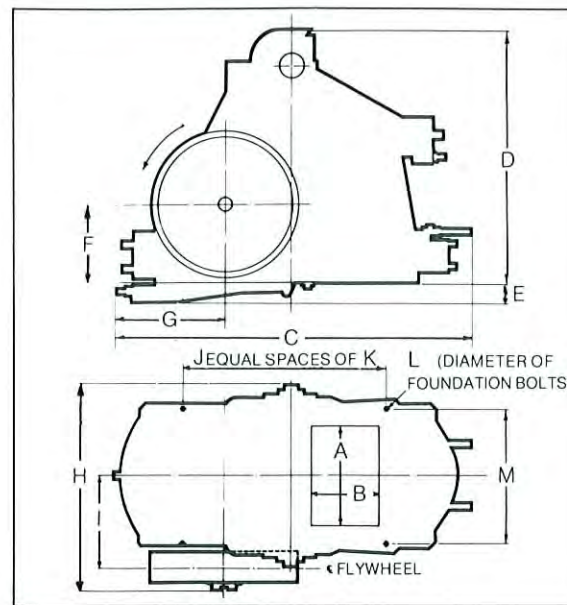
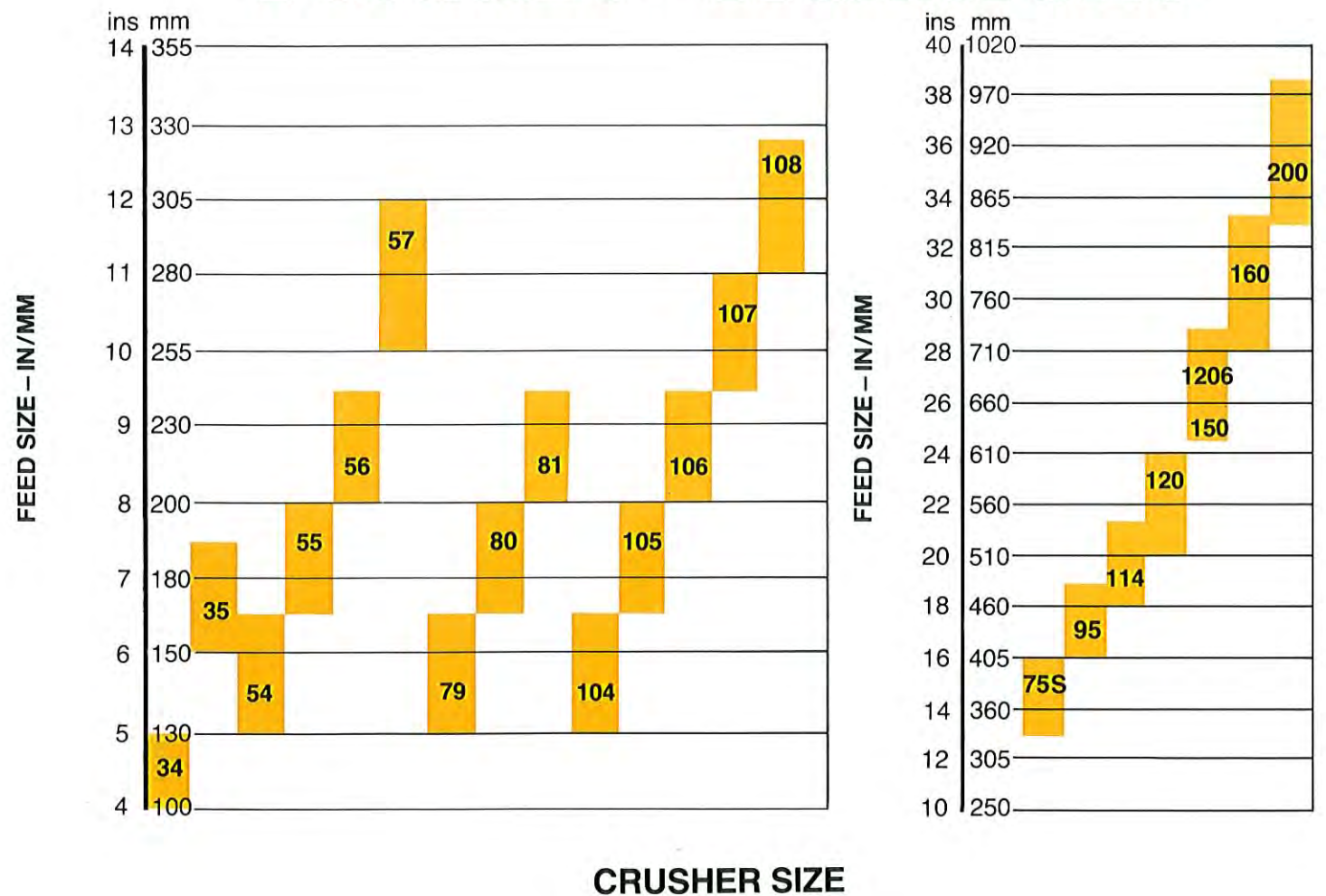
Capacities are based on crushing average hard rock with a bulk density of 100 lb per cubic foot (1600 kg per cubic metre) and intended as a guide only. Capacities can vary depending on the rock characteristics, Feed size and feed arrangements.

Motors have been calculated on 6 pole - 50 hz

# Product Distribution



# Feed Size - Crusher Size



## Specification:

### Approximate General Dimensions of Standard Jaw Crushers

Do not use this table for actual installation work, for which certified drawings will be furnished. Pulley rotation and speed are given. Face of Pulley is flat, for V-flat drive, which we recommend. Grooved pulleys for V-V drive, or crown face pulleys for flat belt can be furnished at an additional charge, although we do not recommend them.

Standard crushers have manganese steel jaw plates, overload safety device in pulley, also pressure switch and connections to lubricating system, for automatic shutdown and protection against low oil pressure.

We reserve the right to make any alterations, or modifications which we consider an improvement.

| JAW CRUSHER | DIMENSIONS IN MM |      |          |         |        |         |         |         |         |     |        |     |      | MAX. K.W. H.P. | SPEED R.P.M. | APPROX. HEAVIEST PIECE kgs. | APPROX. TOTAL WEIGHT Tonnes | VOLUME CUBIC M <sup>3</sup> |
|-------------|------------------|------|----------|---------|--------|---------|---------|---------|---------|-----|--------|-----|------|----------------|--------------|-----------------------------|-----------------------------|-----------------------------|
|             | FEED OPENING     |      | C        | D       | E      | F       | G       | H       | I       | J   | K      | L   | M    |                |              |                             |                             |                             |
|             | A                | B    |          |         |        |         |         |         |         |     |        |     |      |                |              |                             |                             |                             |
| 34          | 406              | 152  | 1727     | 1191    | 152    | 511     | 533     | 1016    | 467     | 2   | 533    | 25  | 584  | 15             | 20           | 853                         | 2.3                         | 2.07                        |
| 35          | 16"              | 6"   | 68"      | 46 7/8" | 6"     | 20 1/8" | 21"     | 40"     | 18 3/8" | 21" | 1"     | 23" | 20   | 853            |              |                             |                             |                             |
| 54          | 610              | 203  | 1911     | 1314    | 117    | 537     | 597     | 1311    | 559     | 2   | 610    | 29  | 787  | 30             | 365 to 400   | 1297                        | 3.5                         | 4.5                         |
| 55          |                  | 8"   | 75 1/4"  | 51 3/4" | 4 5/8" | 21 1/8" | 23 1/2" | 51 5/8" | 22"     | 24" | 1 1/8" | 31" | 30   |                |              |                             |                             |                             |
| 56          | 24"              | 305  | 1911     | 1314    | 117    | 537     | 597     | 1311    | 559     | 2   | 610    | 29  | 787  | 40             | 350 to 385   | 1833                        | 4.6                         | 5.34                        |
| 57          |                  | 10"  | 75 1/4"  | 51 3/4" | 4 5/8" | 21 1/8" | 23 1/2" | 51 5/8" | 22"     | 24" | 1 1/8" | 31" | 40   |                |              |                             |                             |                             |
| 75S         | 762              | 503  | 2692     | 1918    | 146    | 584     | 826     | 1537    | 698     | 3   | 514    | 32  | 1029 | 38             | 350 to 375   | 4336                        | 8.5                         | 9.71                        |
| 79          | 30"              | 20"  | 106"     | 75 1/2" | 5 3/4" | 23"     | 32 1/2" | 60 1/2" | 27 1/2" | 3   | 514    | 32  | 1029 |                |              |                             |                             |                             |
| 80          | 914              | 254  | 2496     | 1561    | 140    | 648     | 845     | 1749    | 791     | 3   | *      | 32  | 1181 | 50             | 325 to 360   | 3914                        | 8.3                         | 8.75                        |
| 81          |                  | 8"   | 98 1/4"  | 60 3/4" | 5 1/2" | 25 1/2" | 33 3/4" | 68 7/8" | 31 7/8" | 3   | *      | 32  | 1181 |                |              |                             |                             |                             |
| 95          | 1065             | 610  | 2978     | 2280    | 152    | 654     | 848     | 1749    | 765     | 3   | 660    | 32  | 1181 | 45             | 300 to 350   | 5842                        | 12.2                        | 14.05                       |
| 104         |                  | 24"  | 117 3/8" | 89 3/4" | 6"     | 25 3/4" | 33 3/8" | 68 7/8" | 30 1/8" | 3   | 660    | 32  | 1181 |                |              |                             |                             |                             |
| 105         | 42"              | 203  | 3226     | 1670    | 149    | 660     | 1041    | 1880    | 883     | 4   | *      | 32  | 1334 | 55             | 300 to 350   | 4672                        | 10.2                        | 11.46                       |
| 106         |                  | 8"   | 127"     | 65 3/4" | 5 5/8" | 26"     | 41"     | 74"     | 34 3/4" | 4   | *      | 32  | 1334 |                |              |                             |                             |                             |
| 107         | 1219             | 254  | 3226     | 1670    | 149    | 660     | 1041    | 1880    | 883     | 4   | *      | 32  | 1334 | 75             | 300 to 325   | 4672                        | 10.2                        | 11.46                       |
| 108         |                  | 10"  | 127"     | 65 3/4" | 5 5/8" | 26"     | 41"     | 74"     | 34 3/4" | 4   | *      | 32  | 1334 |                |              |                             |                             |                             |
| 114         | 48"              | 685  | 3175     | 2390    | 150    | 660     | 965     | 2060    | 940     | 3   | 635    | 32  | 1334 | 100            | 275 to 300   | 6100                        | 14.6                        | 16.64                       |
| 120         |                  | 27"  | 125"     | 94"     | 6"     | 26"     | 38"     | 81"     | 37"     | 3   | 635    | 32  | 1334 |                |              |                             |                             |                             |
| 120S        | 60"              | 813  | 3505     | 2819    | 114    | 705     | 952     | 2057    | 940     | 5   | 508    | 32  | 1384 | 110            | 275 to 300   | 7121                        | 21.2                        | 23.75                       |
| 150         |                  | 32"  | 138"     | 111"    | 4 1/2" | 27 1/2" | 37 1/2" | 81"     | 37"     | 5   | 508    | 32  | 1384 |                |              |                             |                             |                             |
| 150         | 1219             | 914  | 3505     | 2819    | 114    | 705     | 952     | 2057    | 940     | 5   | 508    | 32  | 1384 | 150            | 225 to 250   | 19305                       | 41.9                        | 38.29                       |
| 160         |                  | 36"  | 138"     | 111"    | 4 1/2" | 27 1/2" | 37 1/2" | 81"     | 37"     | 150 | 508    | 32  | 1384 |                |              |                             |                             |                             |
| 200         | 60"              | 1067 | 4470     | 3759    |        | 902     | 1181    | 2229    | 1118    | 7   | *      | 32  | 1689 | 200            | 225 to 275   | 28449                       | 50.4                        | 45.71                       |
| 200         |                  | 42"  | 176"     | 148"    |        | 902     | 1181    | 2229    | 1118    | 7   | *      | 32  | 1689 |                |              |                             |                             |                             |
| 200         | 60"              | 1524 | 1219     | 4826    | 4166   | 927     | 1232    | 2711    | 1314    | 5   | *      | 38  | 2020 | 190            | 225 to 275   | 30391                       | 68.2                        | 71.40                       |
| 200         |                  | 48"  | 190"     | 164"    |        | 927     | 1232    | 2711    | 1314    | 5   | *      | 38  | 2020 |                |              |                             |                             |                             |

\*HOLES NOT EQUALLY SPACED