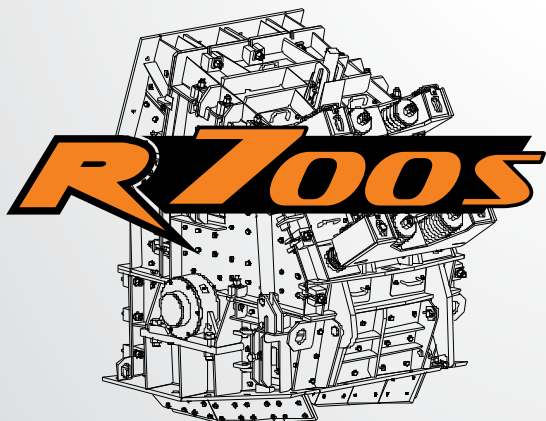


Product description

Mobile track mounted Impact crusher R700S



www.rockster.at

Kormann Rockster Recycler GmbH - Wirtschaftszeile West 2, A-4482 Ennsdorf, Austria
Tel.: +43 (0)7223 81 000, Fax.: +43 (0)7223 81 000 329, Email: office@rockster.at

ROCKSTER[®]
RECYCLER

Application Areas of R700S

Flexible, powerful and reliable

The mobile Impact crusher R700S was specially developed for applications on limited space - as happening on innercity jobsites.

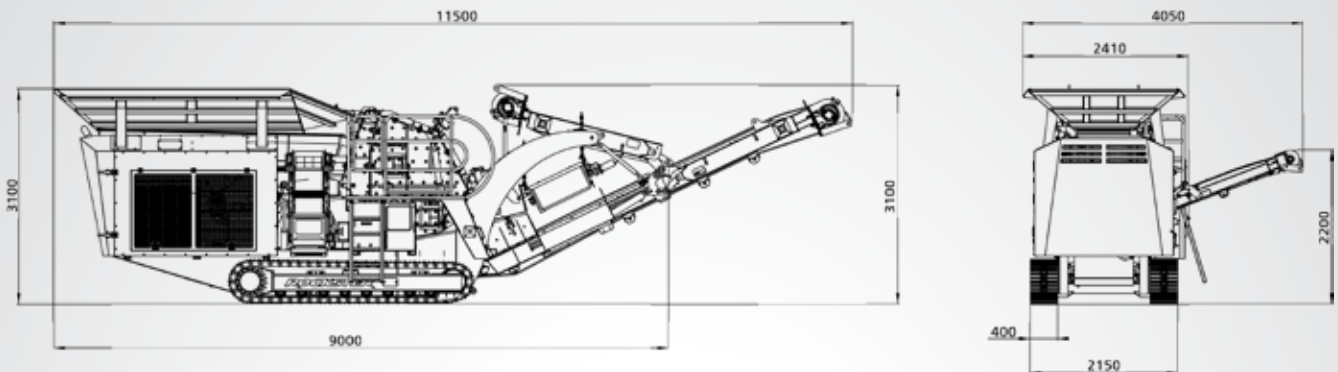
The R700S is easily transported from one jobsite to another through its optimal measures and is the perfect combination of compactness and maximum performance

The mobile crushing plants of **Rockster** guarantee profitable recycling of asphalt, concrete and demolition rubble as well as natural stone. The latest model in the product range of Rockster, the **mobile track mounted Impact Crusher R700S**, has already been successfully introduced into the market and ensures best final grain quality.

The R700S is the optimal solution for recycling and crushing procedures of:



Main dimensions



Transport dimensions:

Length: 9000 mm
Width: 2410 mm
Height: 3096 mm

Transport weight: 19,3 to

Feeding height:

3100 mm

Discharge height:

Main discharge belt: 2950 mm
Side discharge belt: 2200 mm

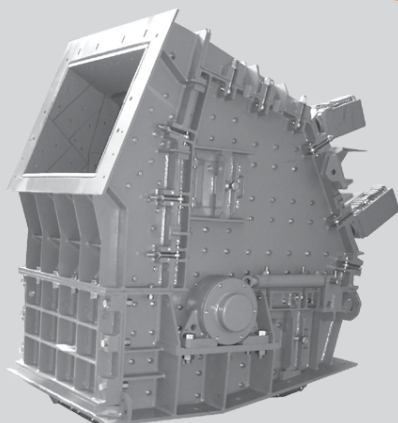
Technical Details

Maximum flexibility

The **Rockster** Impact crusher guarantees **highest performance** at a very high crushing ratio. Due to 2 hydraulically adjustable swing-beams, as well as **variation of the rotor speed**, the final grain can be optimally influenced.

The quality of the hammers is chosen individually, depending on the application and can be used bi-laterally.

High quality wear materials ensure reduced wear.



Impact crusher

Inlet opening: 710 x 650 mm
Impact circle diameter: 930 mm
Rotor equipment: 4 hammers
Crushing ratio: 1:10 - 1:50
Performance: up to 150 t/h
Rotor speed: up to 850 rpm
Drive: hydrostatic

Technical Details



The drive system is located at the rear of the machine, enclosed in a sound-proofed housing. For maintenance and service purposes the casing can be opened completely on all sides.

The hydraulic pump for all auxiliary drives (main discharge belt, side discharge belt, vibration channel, crawler gear...) as well as the pump for the hydrostat are driven via a distributing gear unit which is flange-

Drive:

Motor:	Iveco
Power:	129 kW
Cylinder:	6
Cooling system:	water

mounted on the drive motor.

The hydrostat activates the crusher via a V-belt drive.

Advantages of the hydrostatic drive:

- Individually **adjustment of crusher speed**
- optimum adaptation to the power requirements of the crusher
- the usual **clutch is replaced**



Feed hopper:

Feature:	Hardox 400
Volume:	3,1 m ³
Feeder width:	700 mm
Feeding height:	3100 mm



Vibration channel with pre-screening:

Feature:	Hardox 450
Length pre-screening:	1100 mm
Gap width:	ZigZag 35 mm
Drive:	hydraulic infinitely variable



Bypass:

The switchable chute (Bypass) allows the discharge of the pre-screened material on the side or main discharge belt.

Easy switch via hand gear - **no special assembly necessary!**

Technical Details



Main discharge belt:

Belt width: 800 mm
Discharge height: 2950 mm
Angle: 25,5°
Drive: hydraulically, infinitely variable
For transport the main discharge belt is foldable hydraulically.



Side discharge belt:

Belt width: 400 mm
Discharge height: 2220 mm
Angle: 21°
Drive: hydraulically
For transport the side discharge belt is foldable hydraulically.



Magnetic separator:

Type: Permanent magnet
Belt width: 750 mm
Drive: hydraulically
Discharge on both sides



Caterpillar crawler:

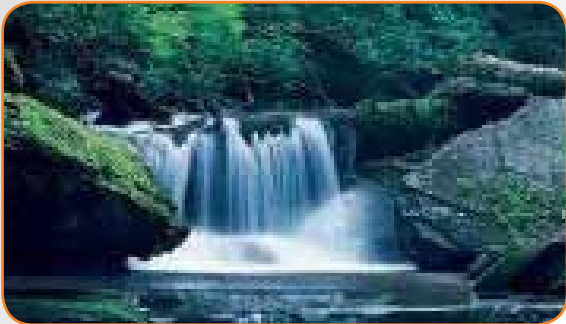
Tread width: 400 mm, slanted
Wheel base: 2900 mm
Surface: triple ribbed pads
Climb: 34°
Drive: 2-speed hydraulic



Control panel:

Central Control/Operating unit ensures an easy operation and machine monitoring.

Special features



Environmental Compatibility:

Reduction of emissions through:

- efficient dust suppression and
- sound-proofed housing



Easy service & ideal accessibility:

The large-scale covers allow for an optimal accessibility for service and maintenance and furthermore ensure the optimal ventilation of the drive-unit and the cooler.

Options:



water pump



central lubrication



Main belt-wear protection



sound protection cover

Option: Screening system RS73 + RB65



working position - oversize return



working position - oversize stockpile



Transport - Screenbox & Returnbelt on machine



Transport - Screenbox splitted from machine

Defined final grain in one workflow:

The optional screening system - consisting of the compact circular vibrating screen RS73 in combination with the return belt RB65 - is the perfect addition for the track-mounted R700S Impact crusher for the production of 100 % defined final grain.

The components are mounted directly on the main discharge belt and are driven through the additional hydraulic system of the crushing plant.

Technical Details:

Screen size: 1830 x 1000 mm
Standard screen: 34 mm
Special screens on demand.
Output: up to 150 t/h

Discharge conveyor final grain:

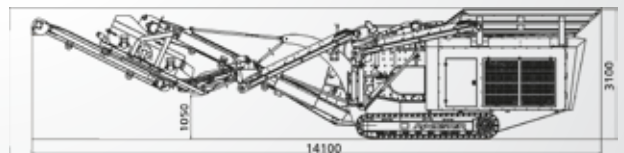
Discharge height: 2880 mm
Belt width: 800 mm

Discharge conveyor oversize grain:

Discharge height: 1670 mm
Belt width: 400 mm

Return belt oversize grain RB65:

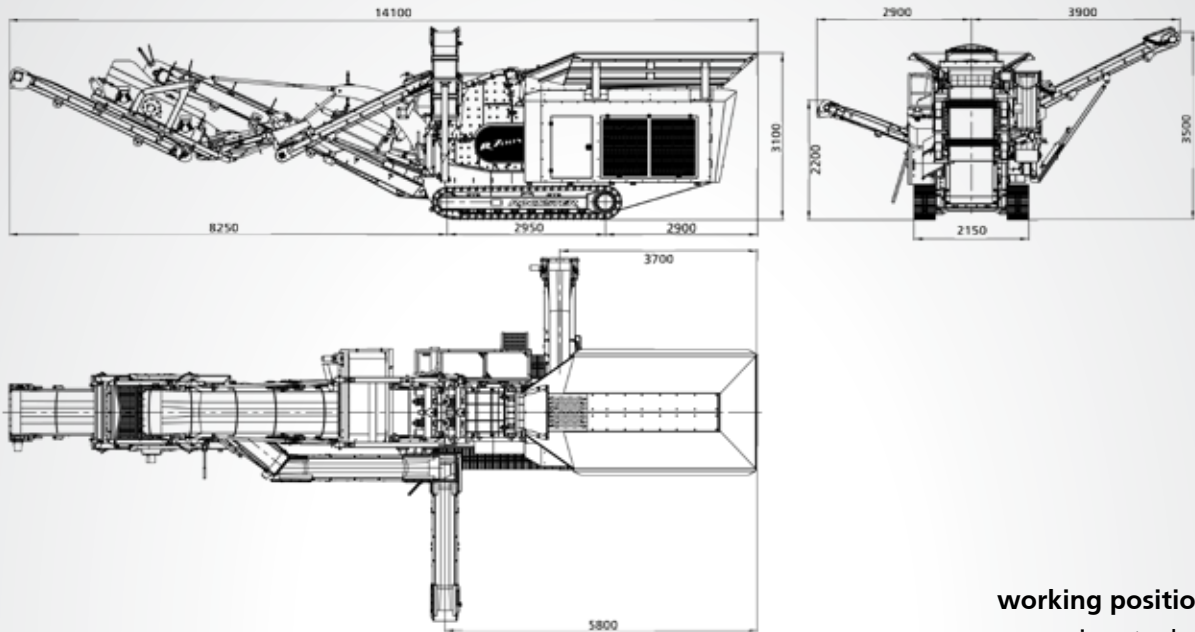
Belt width: 300 mm
Discharge height: 3400 mm



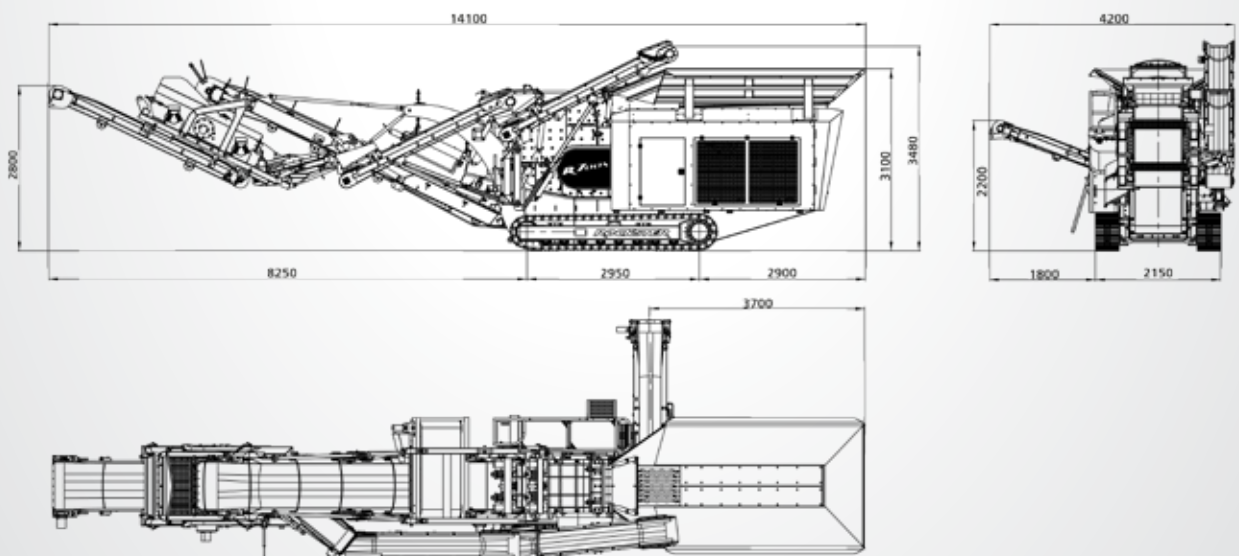
Transport dimensions R700S + RS73 + RB65:

Length: 14100 mm
Width: 2520 mm
Height: 3100 mm
Total weight: 21,8 to

Measures R700S with Screening System



working position
- oversize stockpile



working position
- oversize return

General Information

The company

The company **Kormann Rockster Recycler GmbH** specializes in the development and production of mobile crushing and screening systems. The „Rockster Team“ consists exclusively of long-time market insiders, each bringing **years of experience** into perfecting the Rockster design concept, as well as being personally available to share their expertise with customers.

Customer orientation and maximum customer care is the ultimate ambition of all Rockster products and services.

The key criteria specified by Rockster are **maximum performance** and **quality**, operating and maintenance friendliness as well as smooth transportation due to **compact dimensions** and low weight.

The ROCKSTER Concept

Reliability - maximum reliability due to highest product quality, full hydraulics and minimum electronics.

Operating efficiency - highest efficiency due to problem-free transport (no special permits), simple maintenance and handling.

Capacity - highest capacity due to high speed rotor and enormous power reserves for the drives.

Knowledge - Realization of practical experience of many years in a progressive machine concept.

Service - 24/7 service for rapid support for problems as well as immediate availability of all spare and wearing parts.

Technology - Production of high-quality crushing product due to optimal organization of the crushing procedure. The use of exclusively long time approved market components guarantees highest technical standard.

Environment friendly - Fulfilment of highest environmental standards due to installation of low-pollution engines as well as complex acoustic insulation.

Revenue - Shortest amortization due to small investment and operating costs. Unique possibility of additional increase of machine efficiency due to the Rockster Duplex-System.



www.rockster.at

Print and punctuation errors excepted.